




# 1500W Portable Power Station (G Series)



**Shenzhen Meitesi New Energy Technology Co., Ltd**

**User Manual**

 Due to long-term transportation and storage, the battery may be in sleep mode. Please fully charge the product before using it for the first time to avoid inconvenience caused by insufficient power.

## **INTRODUCTION:**

G1000 portable power stations are the result of years of power supply manufacturing experience combined with extensive user feedback. With its compact design, huge capacity, light weight, high power, and ease of portability, the new design uses an effective lithium battery as the main body of energy storage. It offers you an easy mobile power solution and is widely used in outdoor settings, medical and rescue operations, outdoor recreation, emergency conditions, environmental monitoring, and other applications.

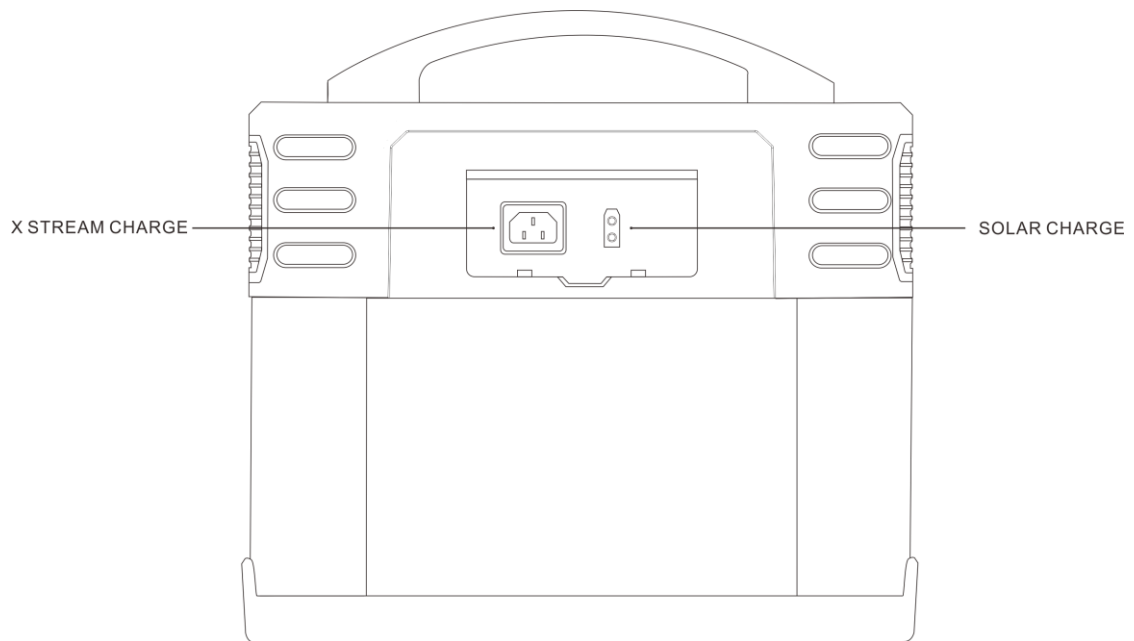
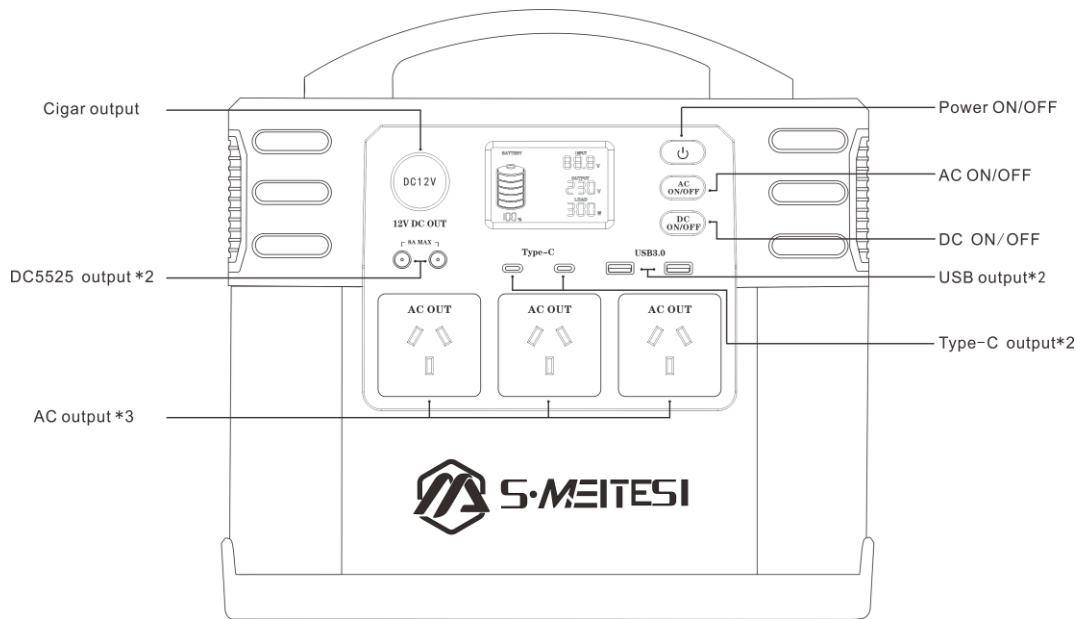
## **FEATURES:**

- Intelligent automatic dynamic charge and discharge management platform.
- The colour LCD display would show the battery capacity, voltage, output power, and remaining time for charging and discharging.
- Light weight and compact design.
- Pure sine wave, high precision, low ripple, and SPWM (pulse width modulation) voltage output.
- Isolated pure sine wave AC 230V output.
- Built-in rechargeable power with high capacity, long-life, and efficiency lithium-ion battery.
- QC3.0, 5V/2A, and Type-C output, can be used for charging digital products such as mobile phones.
- AC (AC230V) and DC (DC12V/10A, USB5V/2A, Type-C) can supply power at the same time.
- Safety design protections: short-circuit protection, over-load protection, over-temperature protection, over-charge protection, over-discharge protection, power monitoring and low battery alarm function and etc.

## PRODUCT SPECIFICATIONS:

General Info	Capacity	1500Wh
	Battery Type	LiFePO4
	Discharge Temp.	-10°C~45°C
	Charge Temp.	0°C~45°C
	Weight	17.2kg
	Dimensions	320*200*302 mm
Input Ports	AC Charge	1200W Max(220V~240V@50HZ)
	XT 60	300W Max(Solar/DC 30V~45V )
Output Ports	AC	1500W Max
	Type-C	DC5V=3A/ DC9V=3A/ DC12V=3A/ DC15V/3A/ DC20V=3.25A
	USB-A	DC5V=3A/ DC9V=3A/ DC12V=3A
	DC 5525	48W Max (12V/4A )
	Car Port	120W Max (12V/10A)

# PRODUCT LAYOUT:



## **TWO CHARGING METHODS:**

### **① Mains charging**

- (1) Connect the product and socket with the AC charger in the package.
- (2) Please unplug the charge when charging completed.
- (3) It is normal for this unit to get hot during charging.
- (4) Make sure that the wiring is in good contact, otherwise the contact terminals may melt or ignite at high temperatures.

### **② Solar Charging**

1. Choose suitable solar panel (30V-50V).
  2. Put the solar panel under strong sunshine, face to the sun positively,
  3. Use charging cable to connect to the DC input.
  4. When the product is charged fully by the solar, it will stop charging automatically.
- Please take out the charging cable, and turn off the unit.

### **Please note:**

- 1. Please make sure the cable connecting is correct and stable, or will cause the connector in high temperature status or sparking.**
- 2. During the charging , it is normal situation if the product is getting a little bit hot.**
- 3. The charging time is different when light intensity is different.**
- 4. Make sure that the positive and negative poles of solar panels are connected correctly.**

## **CONTENTS:**

- 1 x Portable Power Station
- 1 x AC adaptor
- 1 x User Manual

## **USAGE INSTRUCTIONS:**

### **Procedure:**

1. Long press the main power button 3S to turn on. The main power indicator and the screen lights up , enters the standby state.
2. Plug in appliances.
3. Click the DC/AC on/off switch to turn on the DC/AC output function. The product starts to supply power to appliances.
4. After use, click the DC/AC on/off switch to turn off the DC/AC output.
5. When not using the product for a long time, please long press the main power switch for 3S to turn off to save power.

**Please note: Over-load, over-heating, or low battery will automatically activate the protection function and shut down the power station.**

### **Operation Precautions:**

1. The AC output interface can only power devices with a rated power less than 1000W. Once this limit is exceeded, the device reduces the output voltage and enters constant power mode.
2. If no load is detected, the AC output interface will automatically turn off after 1 hour.
3. If no load is detected, the DC, USB port will automatically turn off after 1 hour.
4. When all ports are closed or not in use, the LCD screen will automatically turn off after 1 minute.
5. If it is not used for a long time, it should be charged every 3-6 months and kept above 80%. Please keep the device in a cool, well-ventilated environment, away from any water, heat or flammable gases.

## APPLICATION SCENARIOS:



Portable power stations are widely used in medical rescue, emergency communication, environmental monitoring, fire rescue, military camping training, outdoor office, power outages, no electricity areas, telecom network installation, military information construction, geographic working, oil exploration by miners, architectural design surveys, water conservation and water affairs testing, outdoor photography, field research, etc.

## IMPORTANT SAFETY INFORMATION:

1. Please read all the instructions carefully before using the product.
2. Do not use the product near a heat source, such as a fire source or a heating furnace.
3. Avoid contact with liquids of any kind. Do not use the product in the rain or in high humidity.
4. Do not put fingers or hands into the product.
5. Do not operate the product with a damaged cord or plug, or a damaged output cable.
6. Do not use the product around strong static electricity or magnetic fields.

7. Do not disassemble the product in any way or puncture it with sharp objects.
8. Do not use unofficial components or accessories to avoid the risk of fire, electric shock or injury to persons.
9. Do not stack any heavy objects on the product.
10. To reduce the risk of injury, close supervision is necessary when the product is used near children.
11. This product is not recommended for powering medical emergency equipment related to personal safety, including but not limited to medical grade ventilators (hospital version CPAP: Continuous Positive Sairway Pressure), artificial lungs (ECMO, Extracorporeal Membrane). Please follow your doctor's instructions and consult with the manufacturer for restrictions on the use of the equipment. If used for general medical equipment, please be sure to monitor the power status to ensure that the power does not run out.

**ERROR CODE:**

E01	Bi-directional off
E02	Over-temperature
E03	Input over-voltage
E04	Input under-voltage
E05	Output over-voltage
E06	Output under-voltage
E07	Output over-load
E08	short circuit



## **TROUBLESHOOTING:**

<b>Problem</b>	<b>Reason</b>	<b>Solution</b>
DC no power output	Overload	Unplug the load and restart the DC output
USB no power output	USB is protected	Turn off the USB output and wait for a while, then restart the USB output
AC no power output	The internal battery is overheating and becoming overloaded	Restart the AC output at the ideal operating temperature
Charge failure	The internal battery is overheating, and the charging startup power is excessive	Try unplugging and plugging in the charger several times
Power failure	The internal battery is overheating, the battery is low	Restart after the temperature has cooled, or plug in the charger to activate charging

## **DISPOSAL GUIDE:**

1. If conditions permit, make sure that the battery is fully discharged before disposing of it in a designated battery recycling bin. The product contains batteries with potentially dangerous chemicals, so it is strictly prohibited to dispose of it in ordinary trash cans. For more details, please follow the local laws and regulations on battery recycling and disposal.
2. If the battery cannot be fully discharged due to product failure, please do not dispose of the product directly in the battery recycling box, instead, contact a professional battery recycling company for further processing.
3. Please dispose of over-discharged batteries that cannot be recharged.

## **WARRANTY SERVICE:**

1. This product is guaranteed for 12 months under normal operating conditions from the date of purchase.
2. Please pack and transport the products to be repaired properly. The company shall not be responsible for any damage or loss during transportation.
3. During the free-of-charge warranty period, the company reserves the right to refuse providing services or charge the cost of parts and services in the following circumstance:
  - a. The appearance of the product is damaged after use.
  - b. Unauthorized disassembly and maintenance of non-professionals.
  - c. Performance problems caused by human factors.
  - d. Damage caused by natural disasters, lightning strikes, accidents, and other irresistible factors